
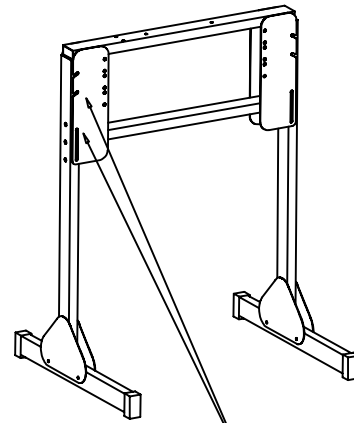
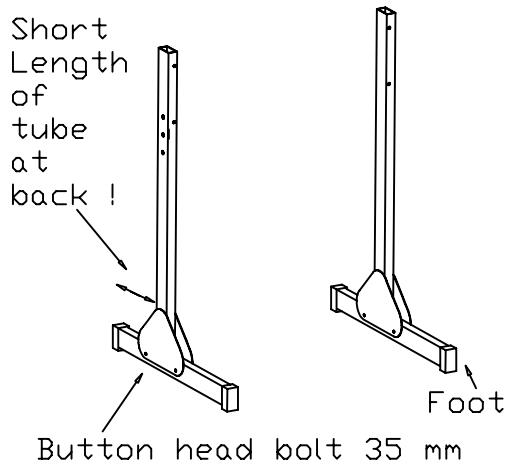


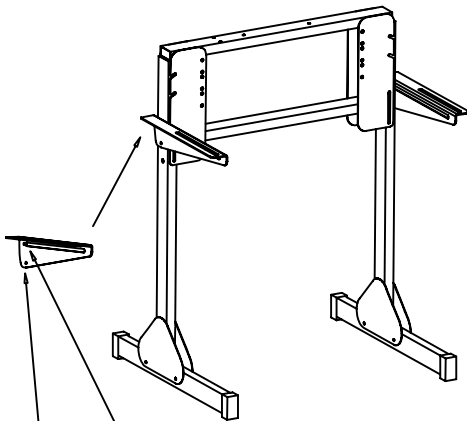
SEFOUR  X15 INSTRUCTIONS - SEFOUR Patent No: 788021-0001

THE LATEST INSTRUCTION UPDATES : [WWW.SEFOUR.COM/STORE/](http://WWW.SEFOUR.COM/STORE/)

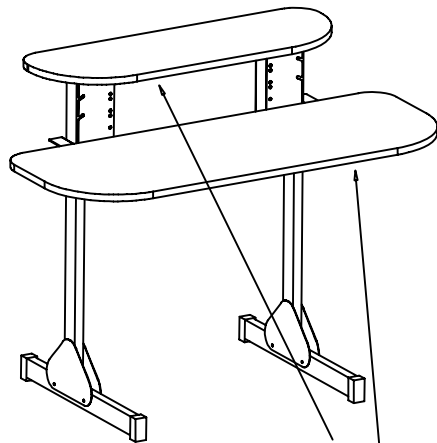
Short Length of tube at back !



Button head bolt 60 mm + knob  
Note - Top Shelf is height adjustable!



Button head bolt 15 mm (bottom hole)  
Button head bolt 15 mm + 1 x Plastic Washer (Top Slot).  
Note: This shelf is height adjustable.

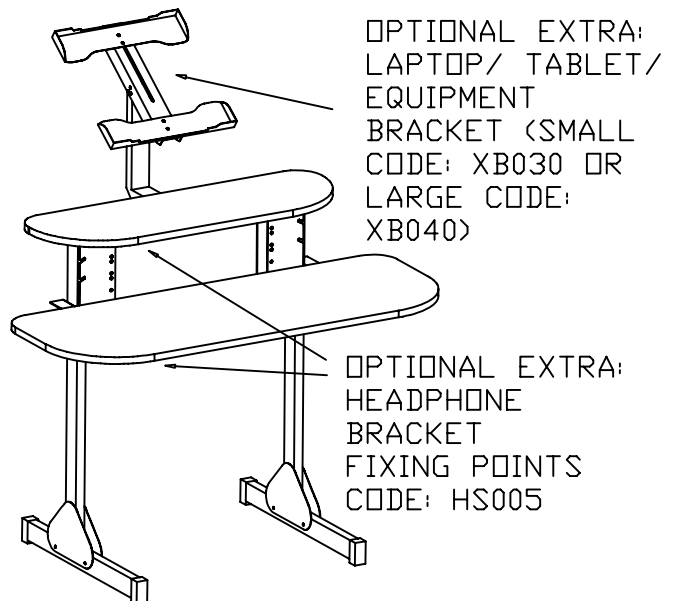


Button head bolt 35 mm for top shelf.

Button head bolt 10 mm for lower shelf + plastic washer.  
Note: Shelf is reach adjustable.

**Fastener List:**

	Length (mm)	Qty
Button head bolt	35	8
Button head bolt	15	4
Button head bolt	60	4
Button head bolt	10	4
Nut		8
Washer		16
Plastic knob		4
Allen key		1
Plastic washer		6



OPTIONAL EXTRA:  
LAPTOP/ TABLET/  
EQUIPMENT  
BRACKET (SMALL  
CODE: XB030 OR  
LARGE CODE:  
XB040)

OPTIONAL EXTRA:  
HEADPHONE  
BRACKET  
FIXING POINTS  
CODE: HS005